

JUPITER YACHT CLUB PLAT NO. 1

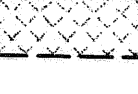
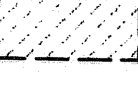
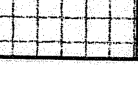
162

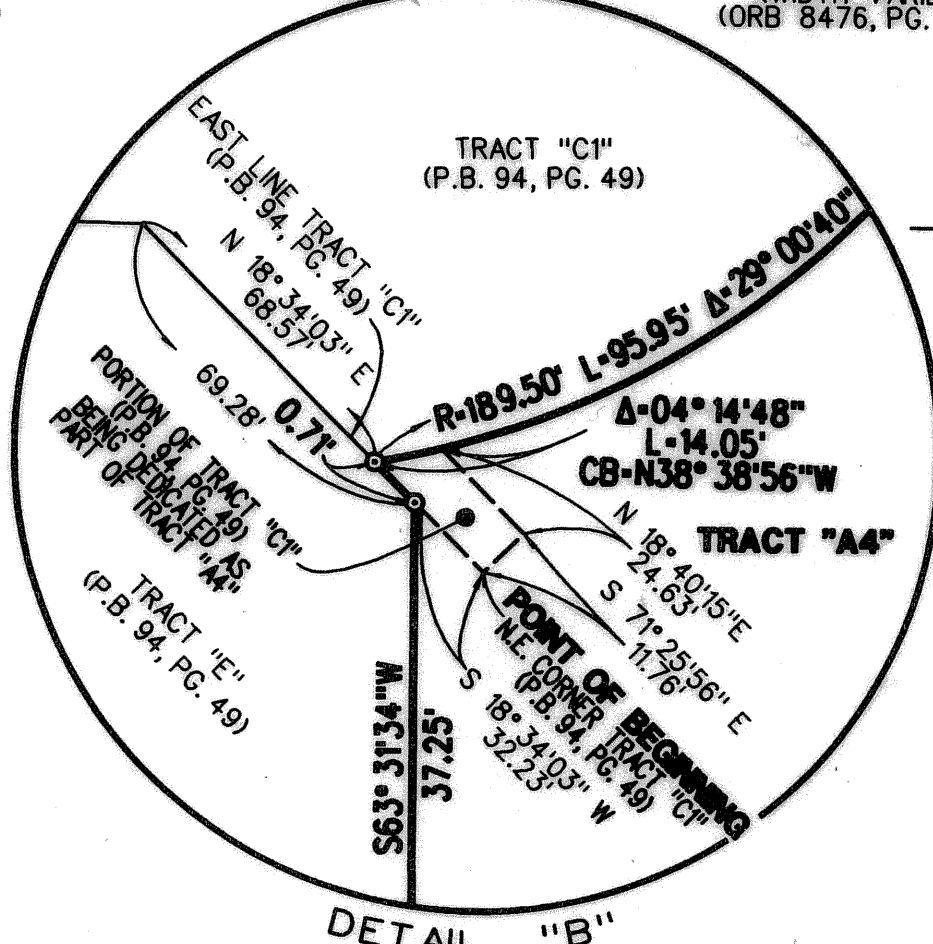
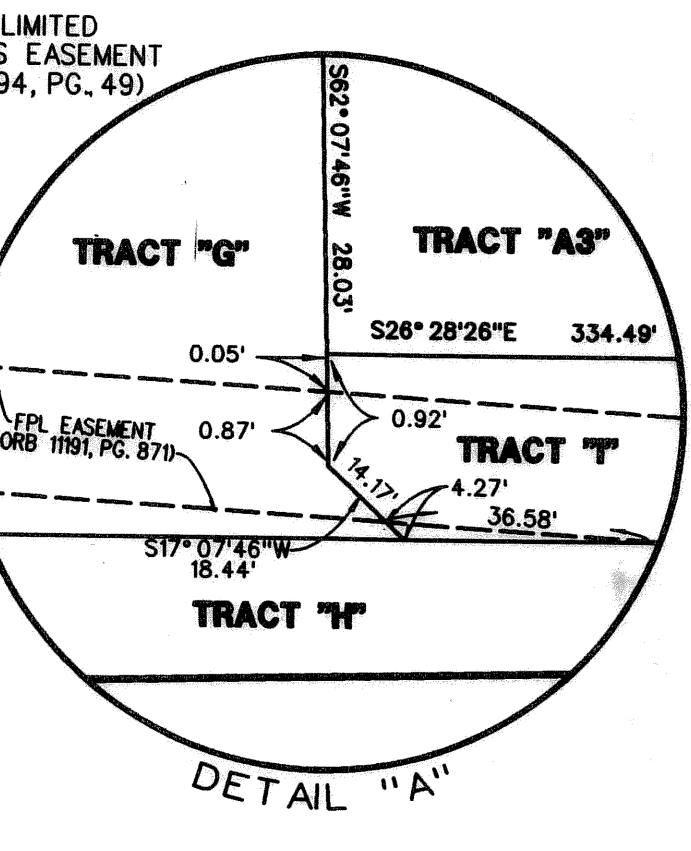
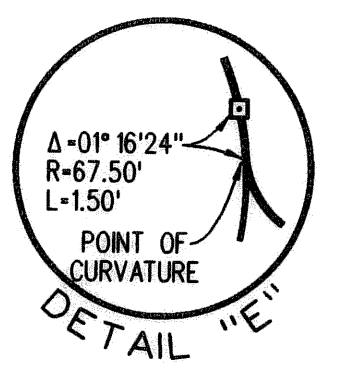
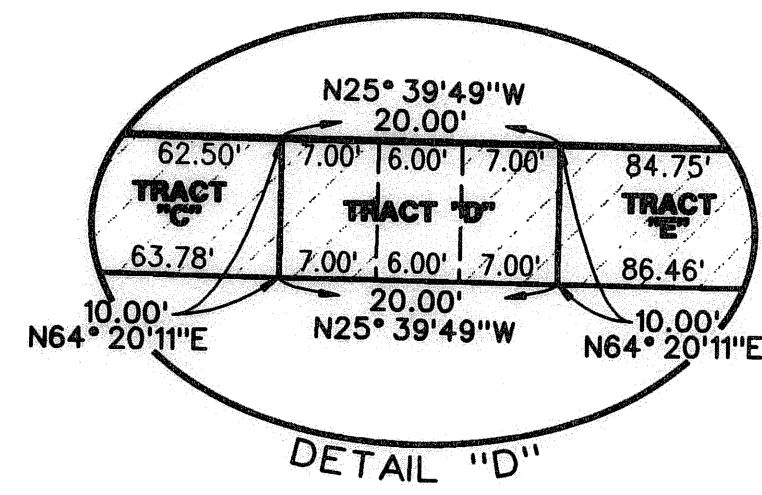
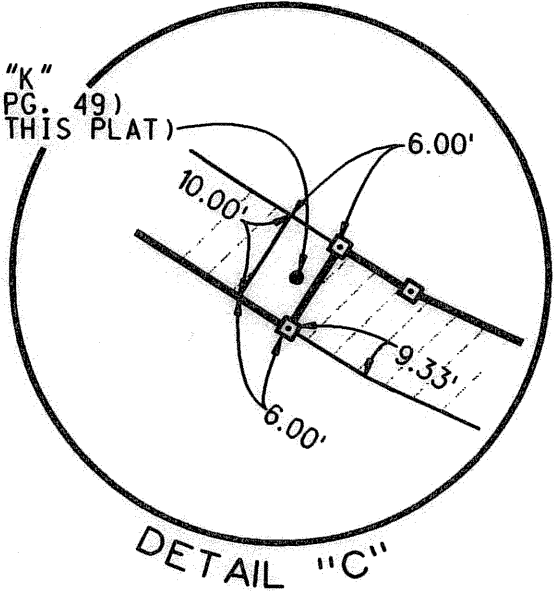
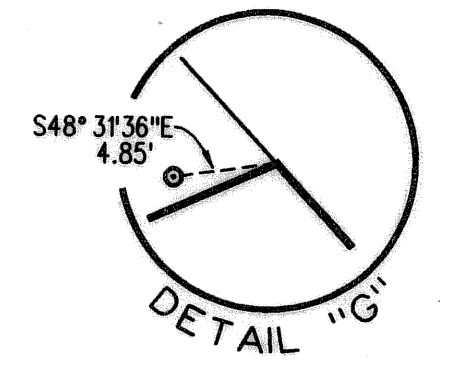
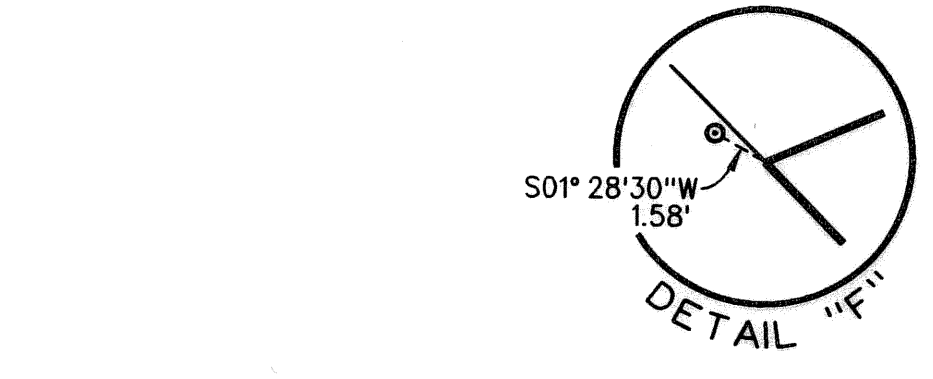
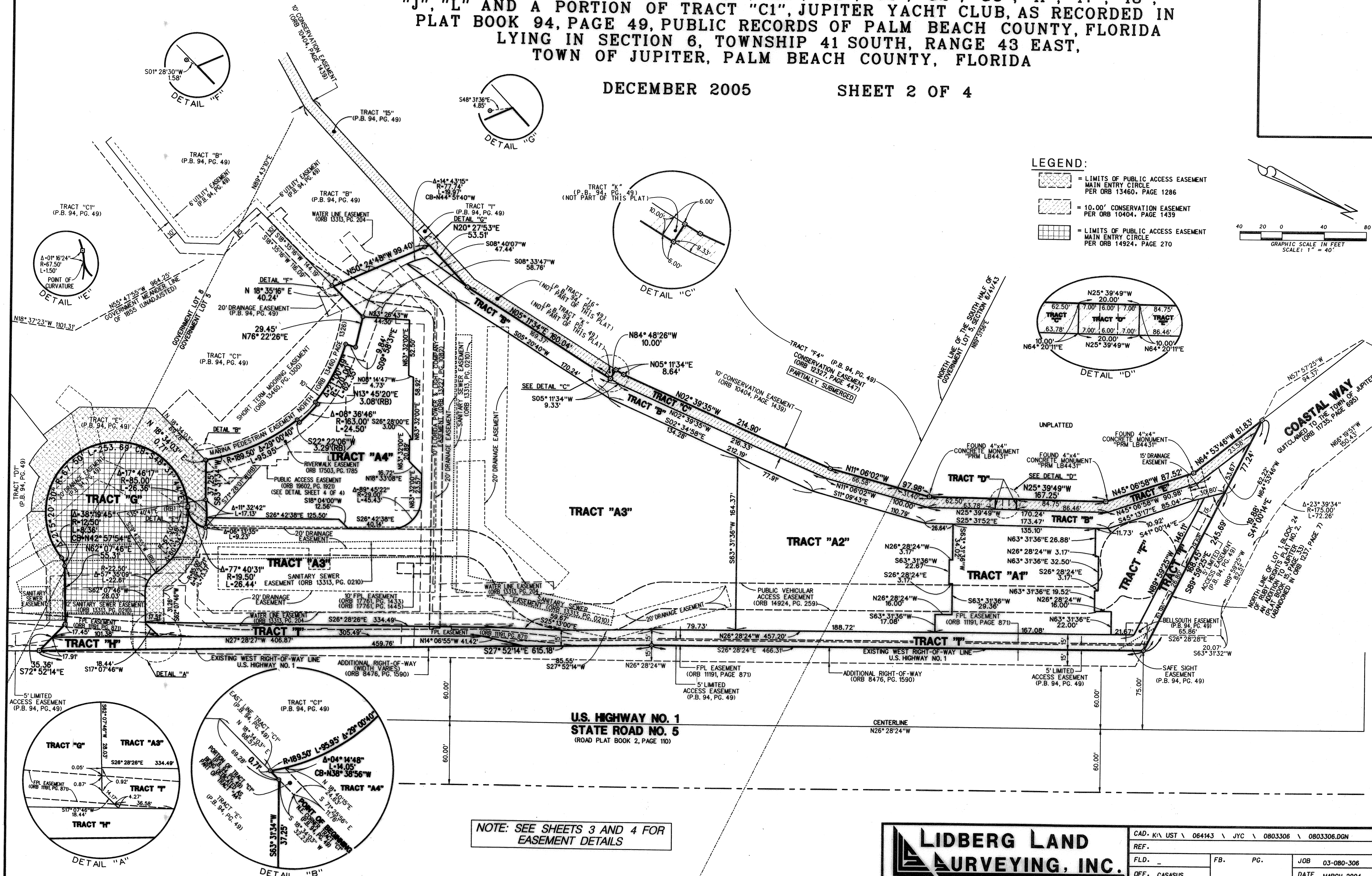
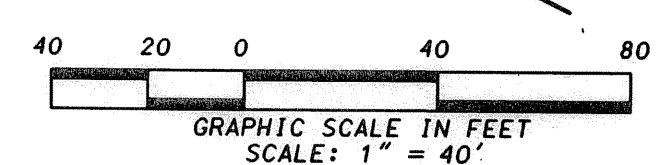
BEING A REPLAT OF TRACTS "A1", "A2", "A3", "C2", "G2", "G3", "H", "I7", "I8", "J", "L" AND A PORTION OF TRACT "C1", JUPITER YACHT CLUB, AS RECORDED IN PLAT BOOK 94, PAGE 49, PUBLIC RECORDS OF PALM BEACH COUNTY, FLORIDA LYING IN SECTION 6, TOWNSHIP 41 SOUTH, RANGE 43 EAST, TOWN OF JUPITER, PALM BEACH COUNTY, FLORIDA

DECEMBER 2005

SHEET 2 OF 4

LEGEND:

-  = LIMITS OF PUBLIC ACCESS EASEMENT MAIN ENTRY CIRCLE PER ORB 13460, PAGE 1286
-  = 10.00' CONSERVATION EASEMENT PER ORB 10404, PAGE 1439
-  = LIMITS OF PUBLIC ACCESS EASEMENT MAIN ENTRY CIRCLE PER ORB 14924, PAGE 270



NOTE: SEE SHEETS 3 AND 4 FOR EASEMENT DETAILS

LIDBERG LAND SURVEYING, INC.
 LB4431 675 West Indiantown Road, Suite 200, Jupiter, Florida 33458 TEL. 561-746-8454

CAD: K:\UST \ 064143 \ JYC \ 0803306 \ 0803306.DGN	REF.	FLD.	FB.	PG.	JOB
					03-080-306
OFF. CASASUS					DATE MARCH 2004
CKD. D.C.L.	SHEET	2	OF	4	DWG. D03-080